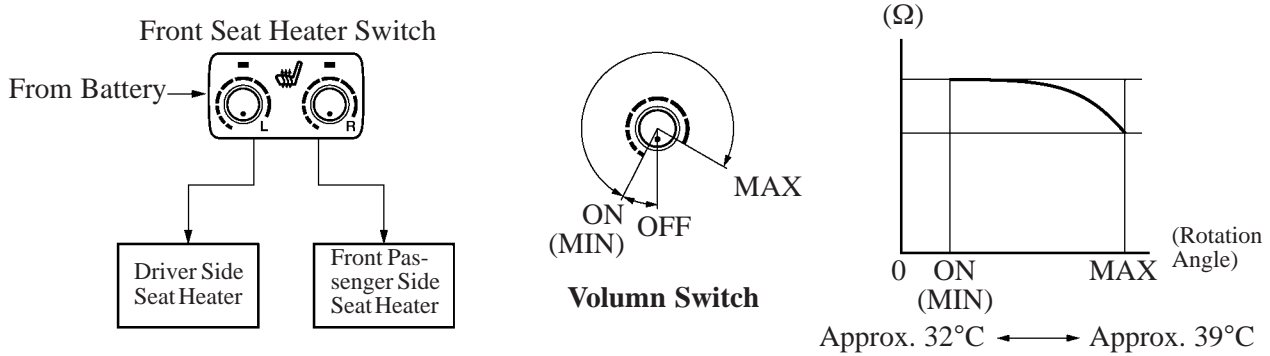


■ SEAT HEATER

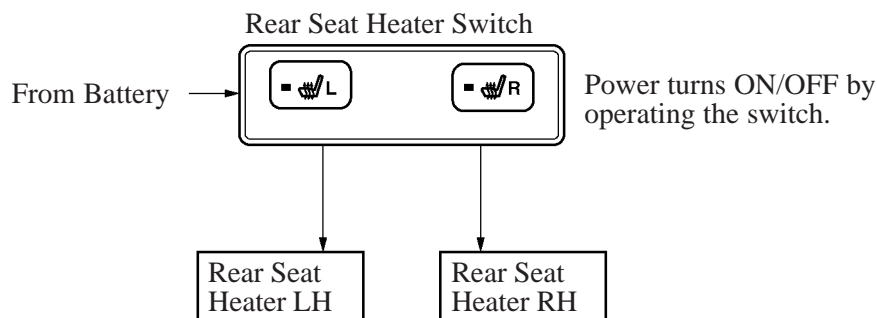
- The seat heater for the front and rear seats has been adopted as standard equipment. The seat heater could be provided only on the rear seats, depending on whether a climate control system is adopted.
- Because this system uses carbon fibers in the heater, it can be placed directly underneath the seat cover, thus achieving improved heating effect during the initial stage of heating.  
For the front seats, a function is provided to independently regulate the temperature of the driver seat and the front passenger seat. By operating the volume switch for each seat, the resistance of the heat can be changed along with the operation of the switch in order to steplessly regulate the temperatures between approximately 32°C to 39°C.
- The front seater heater switches are provided in front of the center console, and the rear seat heater switches are provided on the respective armrests for the rear seats.

► Front Seat Heater ◀



189BE94

► Rear Seat Heater ◀



189BE95