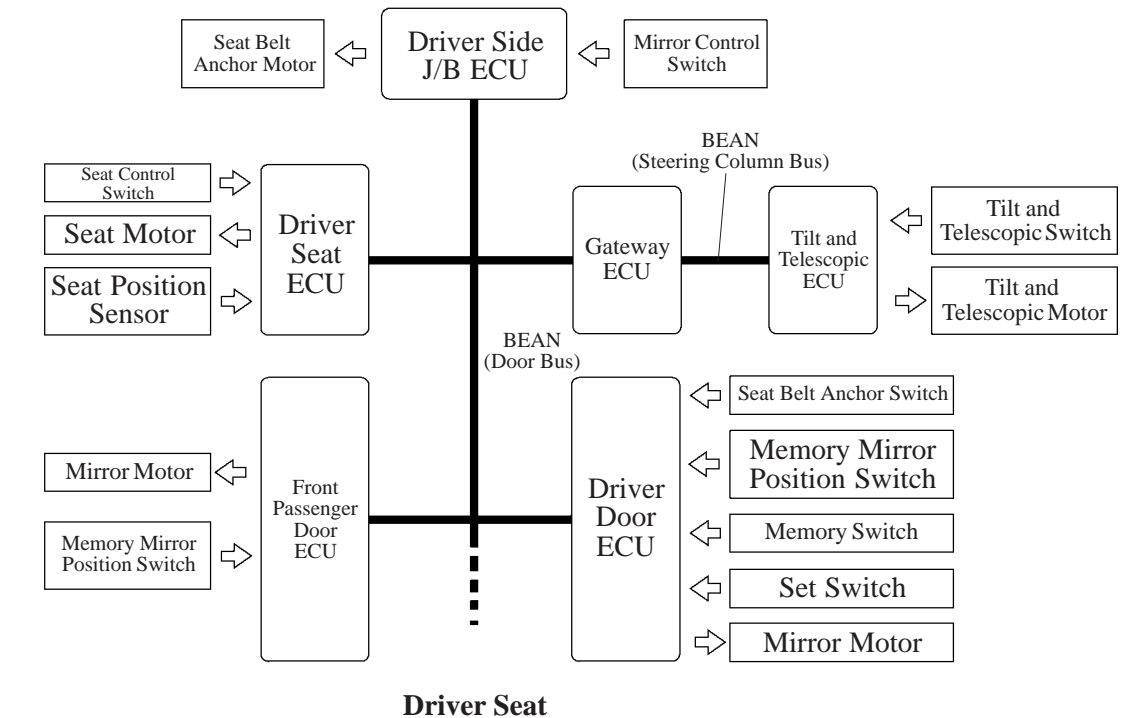


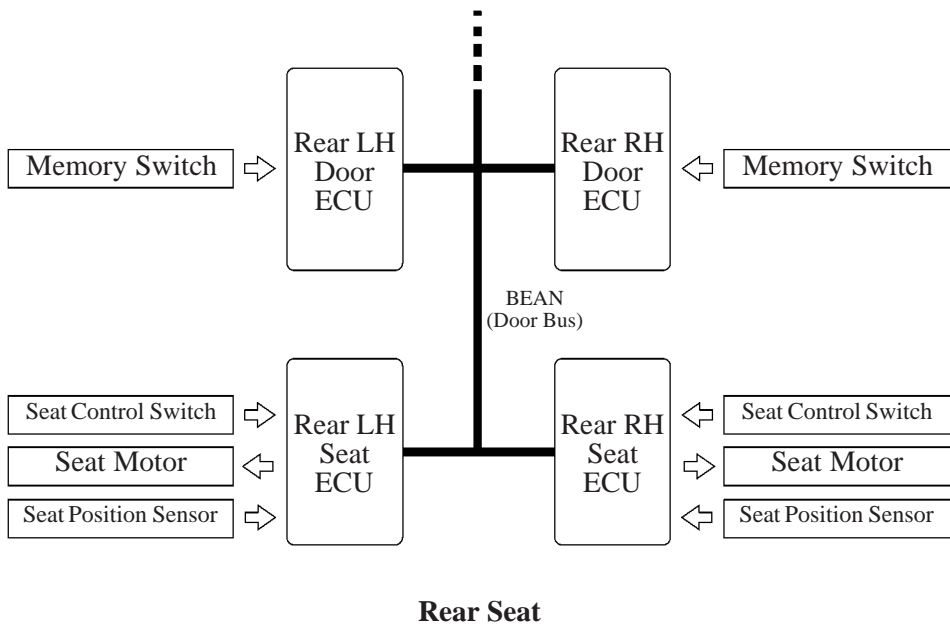
■ MEMORY SYSTEM

- On the new LS430, a memory system for the driver seat is provided as standard equipment, and for the rear seats as optional equipment.
- For the driver seat, the driver seat ECU effects control by memorizing three seat positions, outside rear view mirror position, tilt & telescopic position, and seat belt anchor position.
- For the rear seats, the right and left rear seat ECUs independently effect control by memorizing one seat position for the respective seat.

► System Diagram ◀



189BE165



189BE166