

■ POWER SEAT

1. General

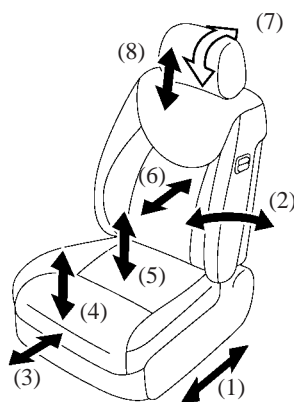
The power seats have the following features:

- The power seat is standard equipment for the front seats and optional equipment for the rear seats.
- A power dual lumbar support is provided in the driver seat as standard equipment.
- A manual dual lumbar support is provided in the front passenger seat as standard equipment.
- A seat cushion slide is provided in the driver seat as standard equipment.
- The rear seat is a power seat in which the position of the right and left seats can be adjusted independently.
- On the new LS430, a return function has been adopted for the rear power seat. When a rear door is opened, this function causes the rear seat to slide backward and to move vertically to facilitate the exit of the occupant.
- On the new LS430, a rear power seat reset switch has been adopted. By operating this switch, the position of the rear seat that has been adjusted can be returned to the original position.

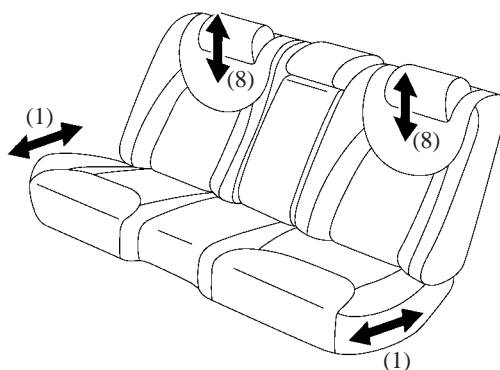
● : Power ○ : Manual

Seat		Front		Rear
Adjustment Function		Driver	Passenger	(LH, RH)
(1)	Fore-and-Aft Slide	●	●	●
(2)	Reclining	●	●	—
(3)	Cushion Slide	●	—	—
(4)	Front Vertical Height	●	●	—
(5)	Rear Vertical	●	●	—
(6)	Lumber Support	Dual	—	—
		Single	—	○
(7)	Headrest Fore-and-Aft Adjustment	○	○	—
(8)	Headrest Height	●	●	●

BE



Driver Seat



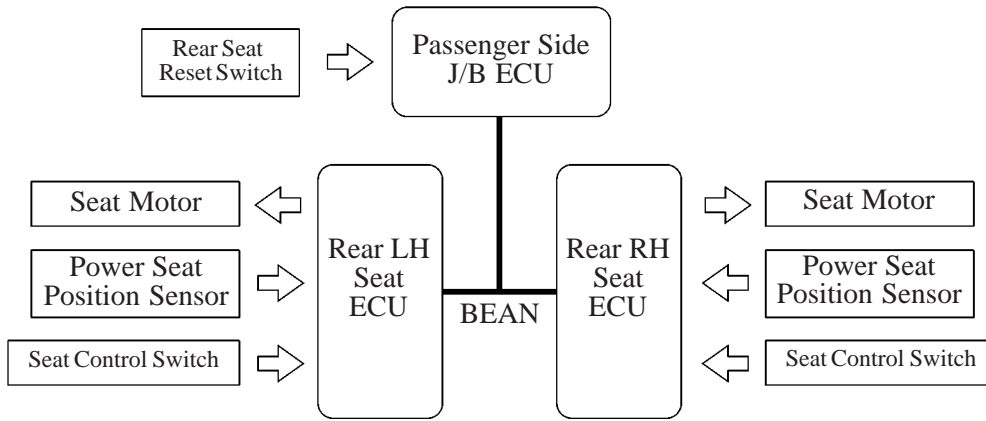
Rear Seat

► System Diagram ◀



Front Seats

189BE168

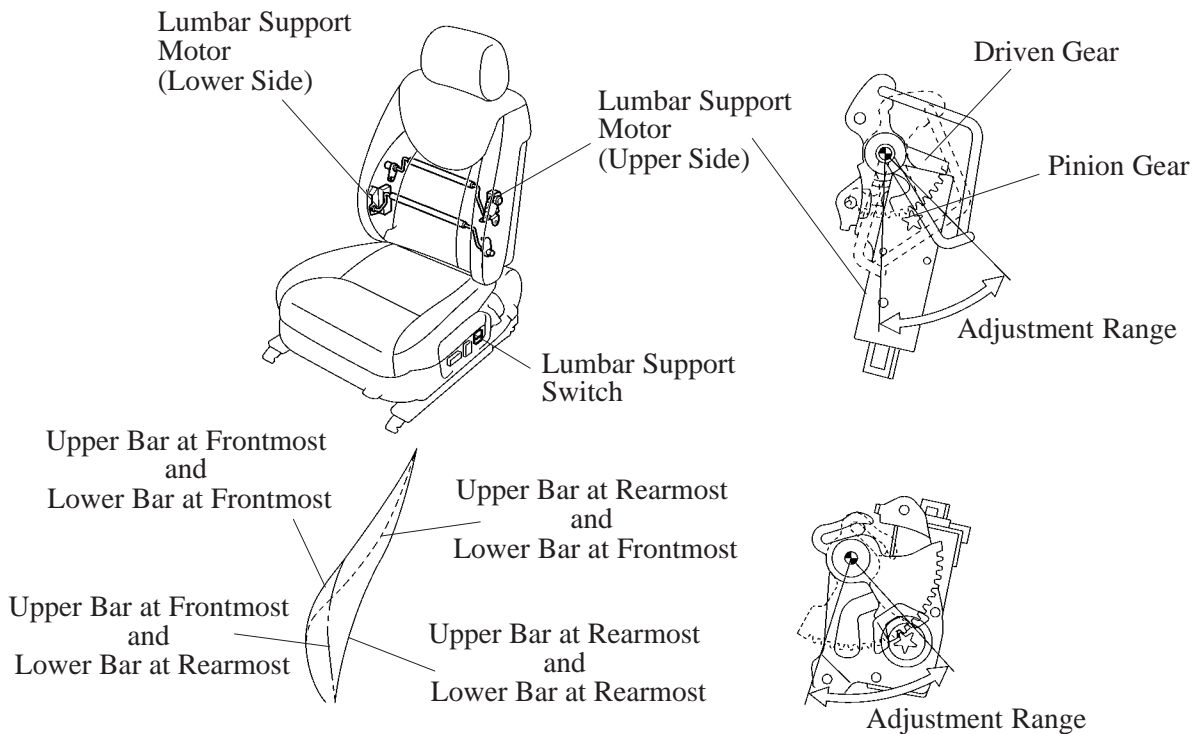


Rear Seats

189BE169

2. Power Dual Lumbar Support

- With the power dual lumbar support system, the two torsion bars, which are located one above the other at a distance of 100 mm, can be adjusted steplessly fore-and-aft by operating the lumbar support switch.
- Two torsion bars, one above the other, are located behind the seatback spring and are designed to push the entire seatback spring.



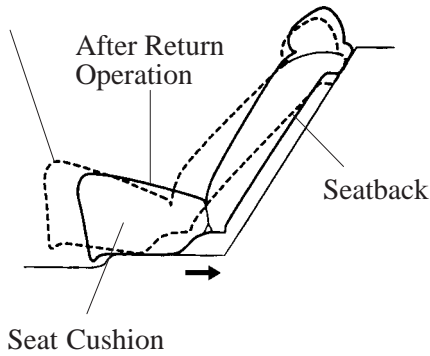
Conceptual Image of the Adjustment

189BE170

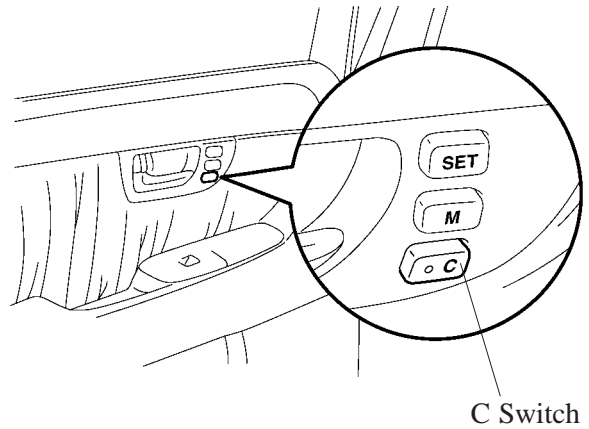
3. Rear Power Seat

- A door open linked return function is provided to cause the rear seat that is adjacent to the opened door, when a rear door is opened, to automatically effect rear slide movements, thus facilitating the in-and-out access of the rear seat passengers. This function causes the rear seat to move to the rearmost position.
- The door open linked return function can be enabled or disabled by operating the C switch in the rear door trim.

Before Return Operation



189BE223



189BE212