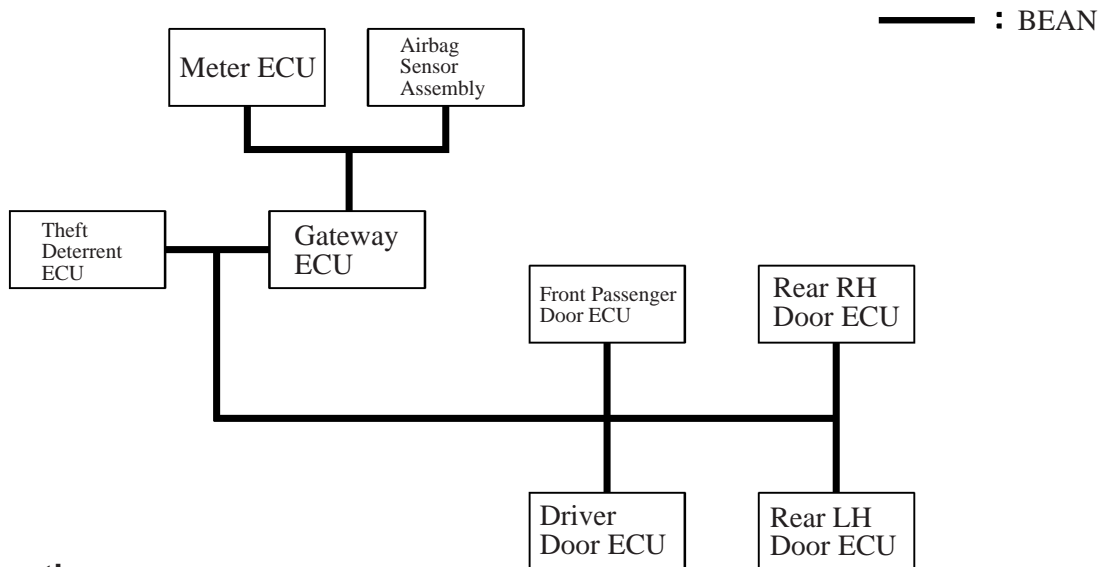


■ DOOR LOCK CONTROL SYSTEM

1. General

- As in the previous LS400, “key-linked lock and unlock”, “key-confine prevention”, and “manual unlock prohibition” functions have been used.
- “Collision door lock release” function has been added to the door lock control system of the new LS430. Furthermore, for improved theft deterrent performance, a double locking system is standard equipment on the RHD models for Europe and optional equipment on the LHD models for Europe.

► System Diagram ◀



2. Function

189BE42

The door lock control system has following features:

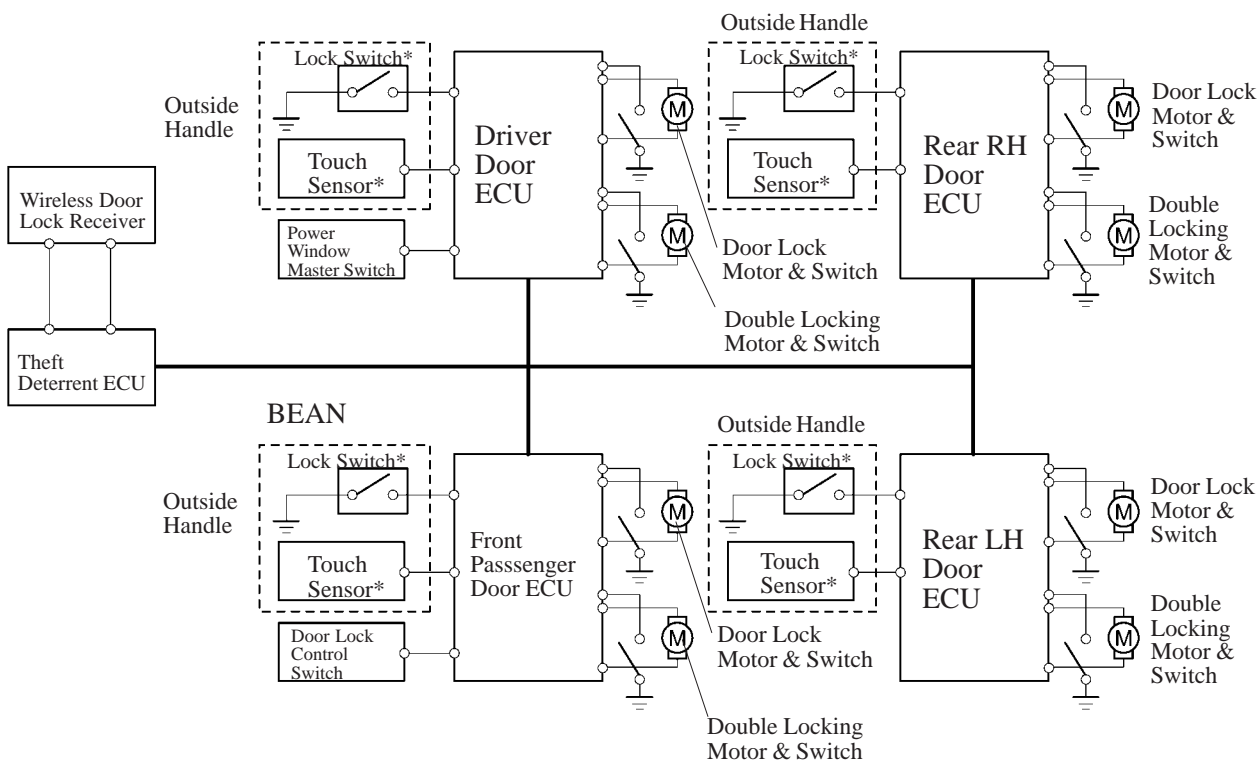
Function	Outline	Europe	Others
Key-linked lock	All door's can be locked simultaneously by operation of the front door key cylinder.	○	←
Key confine prevention	When the key is inserted in the ignition key cylinder and if you perform the door lock operation, all the doors will be unlocked.	○	←
Manual unlock prohibition	Performing the door lock operation with a transmitter or an ignition key will prohibit the unlock operation by the door lock control switch.	○	←
One-motion open	The function which enables the driver to unlock the driver's door by pulling the driver's door inside knob.	○	←
Collision door lock release	During a collision, when the theft deterrent ECU detects the signal that is output by the airbag sensor assembly, the theft deterrent ECU outputs a control signal to the door ECUs to unlock their doors a few seconds later. However, depending on the collision condition, there is a case where this function will not operate.	○	←
Key-linked unlock	All door's can be unlocked simultaneously by operation of the front door key cylinder.	○	—
2-step unlock	This function is provided to unlock the driver's door by turning the key cylinder first and to unlock passenger's door by turning it the second time.	—	○

3. Double Locking System

General

- The double locking system is standard equipment on the RHD models for Europe, and optional equipment on the LHD models for Europe.
- The double locking system also prevents the doors from being opened through the operation of the inside door knobs. Thus, the doors cannot be opened either from the inside or the outside of the vehicle.
- To lock the doors with this system, pressing the transmitter’s LOCK switch, then pressing it again within 5 seconds, or touching the lock switch with smart key system models, then pressing it again within 2.5 seconds activates the double locking system.

► System Diagram ◀



189BE18

*: with Smart Key System

CAUTION

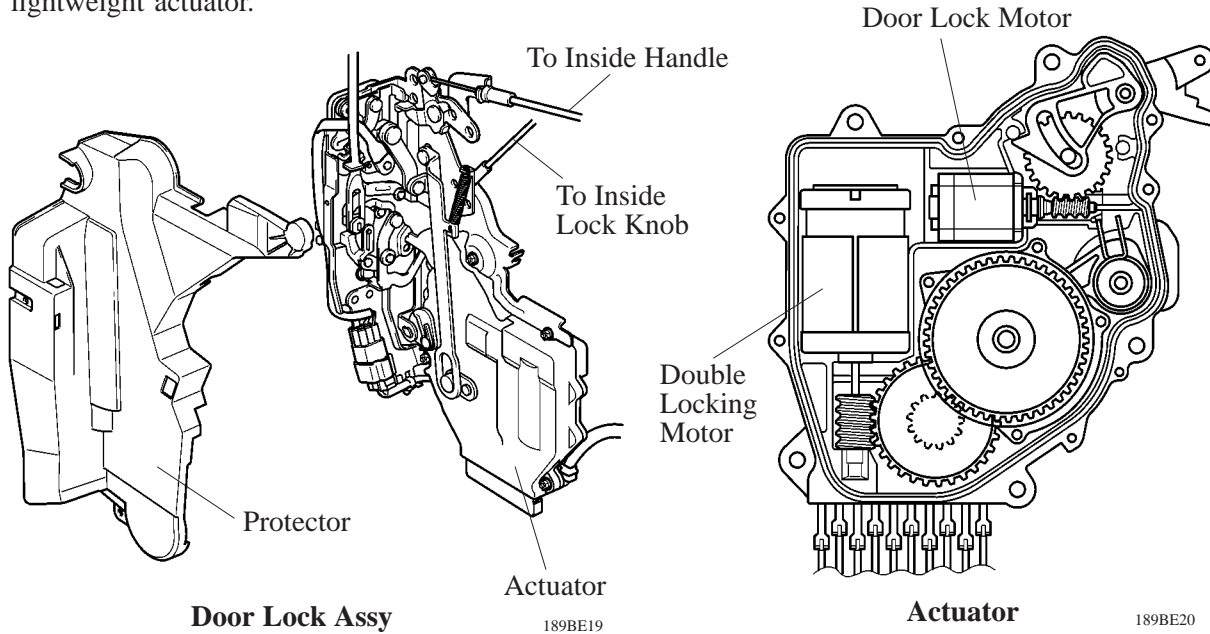
Never activate the double locking system when there are people in the vehicle because the doors cannot be opened from the inside of the vehicle.

If locking the doors by accident, press “Unlock” button of the transmitter, or touch the outside handle.

BE

Construction

The actuator contains both the door lock control system and the door closer system. The double-locking motor is used concurrently as a door closer motor in order to achieve a compact and lightweight actuator.



Operation

- When a door is locked through the operation of the transmitter or the lock switch, it locks in the normal manner; furthermore, the double locking bushing becomes disengaged by the function of the double locking motor. As a result, if an attempt is made to unlock the door by operating the inside knob, the double locking bushing will merely mis-swing, without being able to unlock the door.
- The locking/unlocking function of the double locking system is normally activated by operating the transmitter or the lock switch / touch sensor. However, as an emergency unlocking maneuver, only the driver's door can be unlocked with a key.

