

## VEHICLE SPEED SWITCHING FUNCTION

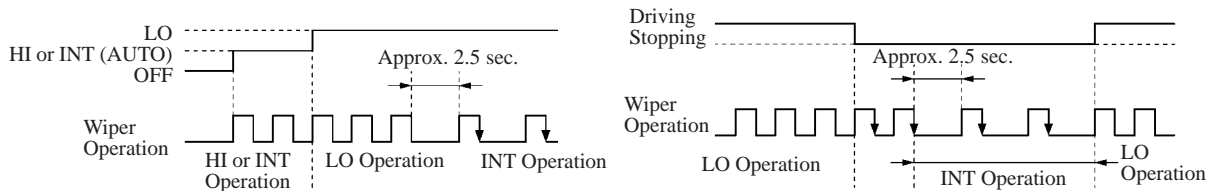
### 1. General

This function that automatically switches to the intermittent operation when the wiper switch is in the LO position and the vehicle is stopped. To perform this function, the stopping and driving conditions of the vehicle are determined as described below.

Driving Judgment	When the vehicle speed is other than 0 km/h, or the stop light and the parking brake are OFF and the shift lever is in a position other than P or N.
Stopping Judgment	When a condition other than the driving judgment has been detected.

### 2. Operation

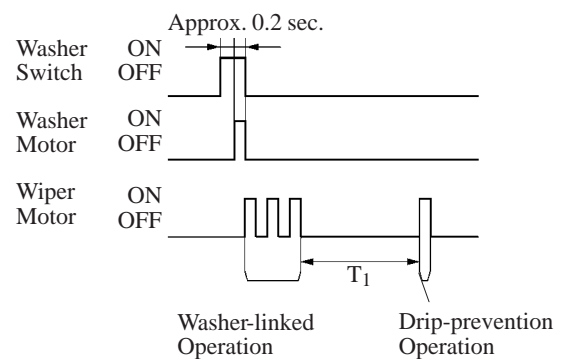
When the vehicle is stopped, operating the wiper switch from the INT (AUTO included) or HI position to the LO position causes the wipers to operate 3 times at the low speed, and then automatically switch to intermittent operation with an interval time of approximately 2.5 seconds. When the vehicle is being driven and the switch is in the LO position, stopping the vehicle causes the wipers to operate twice, and then switch to intermittent operation with an interval time of approximately 2.5 seconds.



189BE89

## WASHER-LINKED WIPER WITH DRIP-PREVENTIVE FUNCTION

With this function, when the wiper switch is in the OFF or INT position, turning the washer switch ON for approximately 0.2 seconds or longer causes the washers to operate, and after the washer switch has been turned OFF, the wipers operate in unison 3 times at the low speed. Approximately 3 seconds (when the vehicle speed is between 0 to 59 km/h) after the low-speed operation of the wipers has been completed, the wipers operate once again to wipe off the washer fluid that has dripped. The drip prevention interval times are shown in the table below, according to the vehicle speed.



T<sub>1</sub>: Varies according to the vehicle speed.

189BE91

Vehicle Speed	Interval Time	Vehicle Speed	Interval Time
0 to 59 km/h	Approx. 3 sec.	120 to 159 km/h	Approx. 5 sec.
60 to 79 km/h	Approx. 5 sec.	160 to 169 km/h	Approx. 3 sec.
80 to 119 km/h	Approx. 7 sec.	170 km/h or more	No Operation