

# WIPER SYSTEM

## DESCRIPTION

- The wiper system in the new LS430 has the following function:

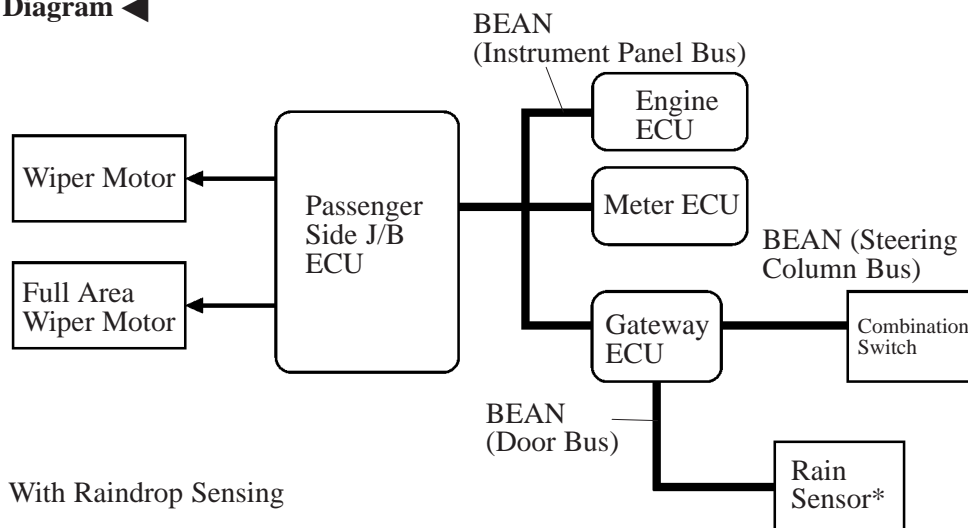
○: STD    △: OPT    —: Not Available    ◻ : Newly Adopted

Function	Outline	G.C.C. Countries	Others
Vehicle Speed-Sensing, Adjustable Interval INT Function*	This function controls the wiper interval time in accordance with the vehicle speed when the wiper switch is in the INT position.	○	○
Vehicle Speed Switching Function	This function automatically switches the operating condition of the wipers while the vehicle is stopped or starting off, when the wiper switch is in the LO position.	○	○
Washer-Linked Wiper with Drip-Preventive Function*	To prevent the fluid from dripping after the washer has been operated, this function operates the wipers once after they have operated in unison with the washer.	○	○
Full Area Wiping Function	This function corrects the overrun of the wiper blades when the wiper switch is in the HI position.	—	○
Raindrop Sensing Function	This function controls the wiping timing in accordance with the amount of raindrops when the wiper switch is in the AUTO position.	△	○

\*: These act as fail-safe functions in case a malfunction occurs in the raindrop sensing function.

- As a rule, the control of the wiper operation is effected by the Passenger side J/B ECU; however, the control of the rain drop sensing function is effected by the rain sensor.

### System Diagram



\*: With Raindrop Sensing

BE