

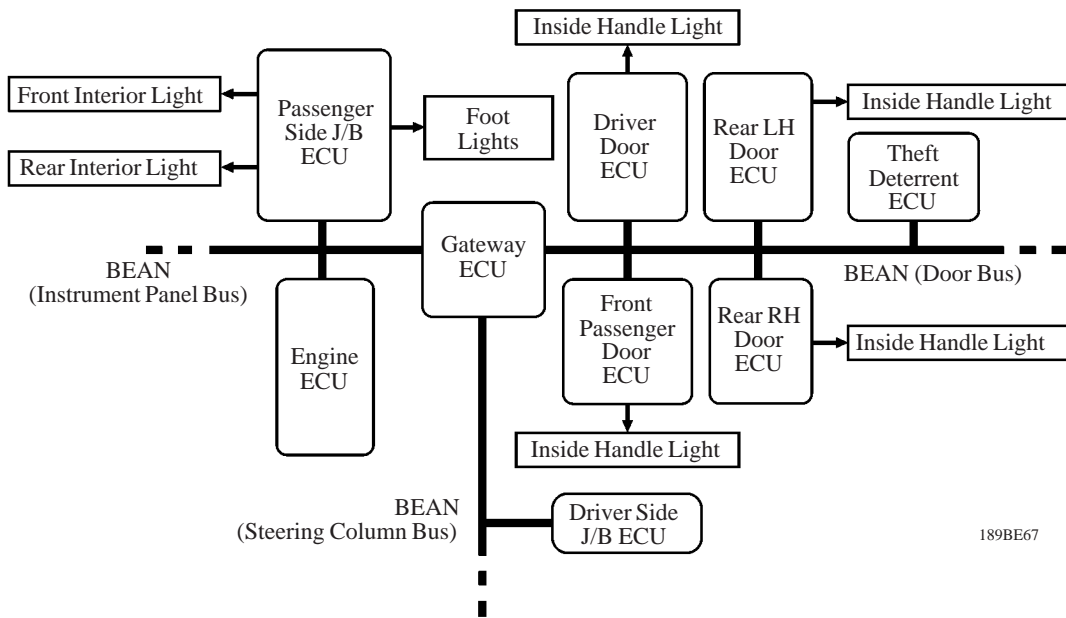
## ■ ILLUMINATED ENTRY SYSTEM

### 1. General

The illuminated entry system of the new LS430 controls 4 lights: front interior light, rear interior light, foot light, and inside handle light.

This system effects control by enabling the Passenger side J/B ECU to receive the signals from the Driver door ECU, Front passenger door ECU, Rear RH door ECU, Rear LH door ECU, Driver side J/B ECU, ECM, and Theft deterrent ECU.

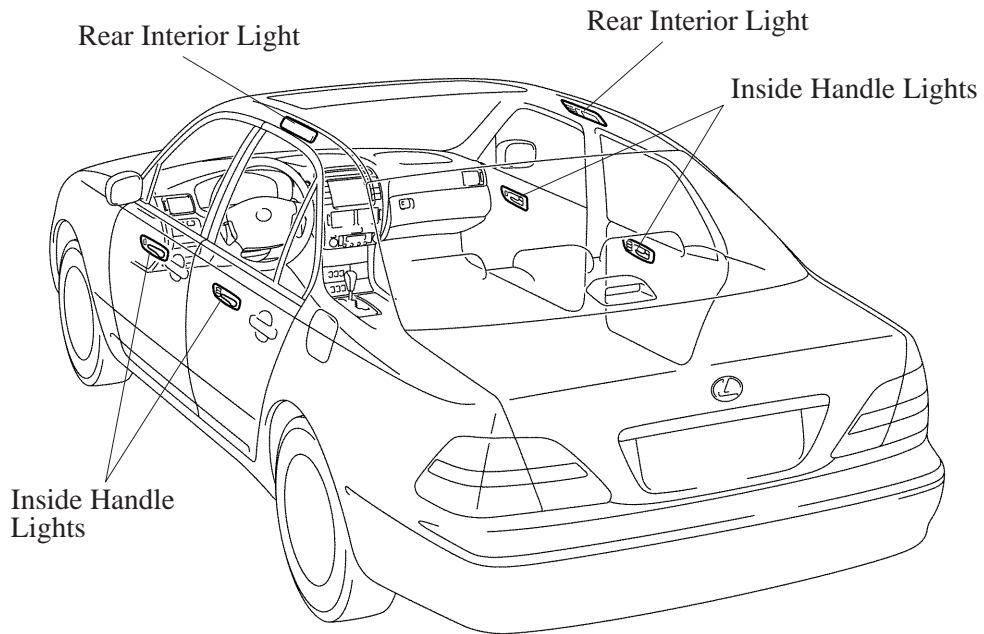
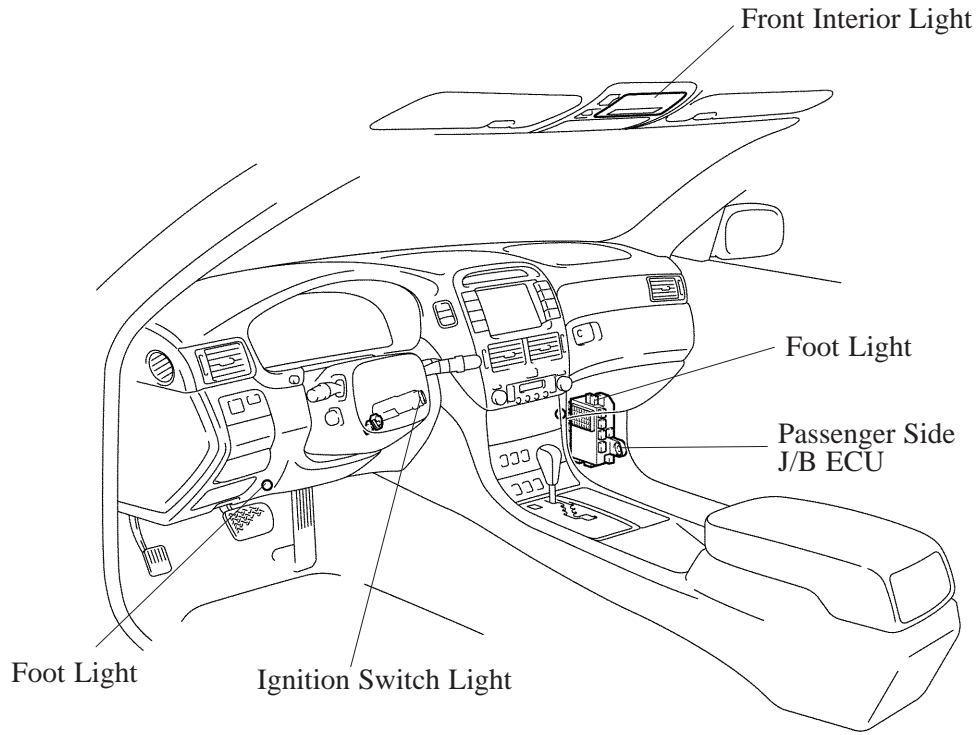
#### ► System Diagram ◀



#### ► Input and Output Signal ◀

| Transmitting ECU         | Receiving ECU          | Signal   |
|--------------------------|------------------------|--|
| Driver Door ECU          | Passenger Side J/B ECU | <ul style="list-style-type: none"> <li>• Driver courtesy switch signal</li> <li>• Driver door lock position signal</li> </ul>                                |
| Front Passenger Door ECU |                        | <ul style="list-style-type: none"> <li>• Front passenger courtesy switch signal</li> <li>• Front passenger door lock position signal</li> </ul>              |
| Rear RH Door ECU         |                        | <ul style="list-style-type: none"> <li>• Rear RH courtesy switch signal</li> <li>• Rear RH door lock position signal</li> </ul>                              |
| Rear LH Door ECU         |                        | <ul style="list-style-type: none"> <li>• Rear LH courtesy switch signal</li> <li>• Rear LH door lock position signal</li> </ul>                              |
| Driver Side J/B ECU      |                        | <ul style="list-style-type: none"> <li>• Lounge illumination (foot light, inside handle light) cancel signal</li> <li>• Ignition switch IG signal</li> </ul> |
| Theft Deterrent ECU      |                        | Warning control signal   |
| Engine ECU               |                        | Shift position signal  |
| Passenger Side J/B ECU   | Door ECUs              | Illuminated entry illumination request signal  |

## 2. Layout of Component

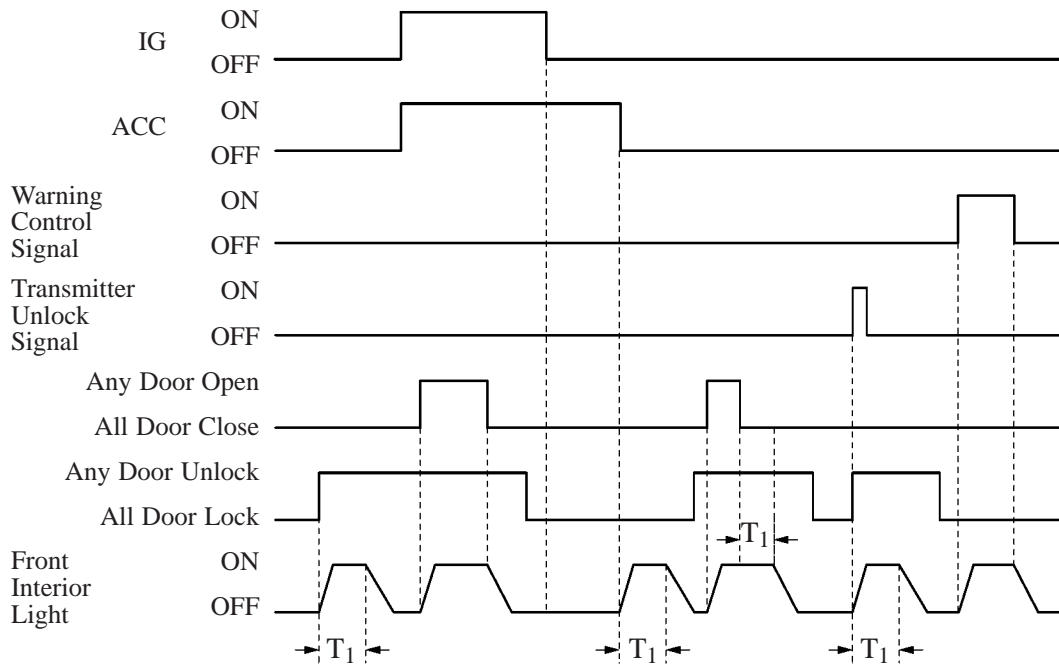


BE

### 3. Front Interior Light Control (including ignition switch light)

- When a door is unlocked through a key operation, manual switch operation or transmitter operation, or if a door is opened or closed, the illuminated entry system turn ON the front interior light and ignition switch light.
- If the ignition switch is turned to the ACC or ON position or if all doors are locked during the 15 seconds in which these lights are ON, they will immediately turn OFF.

#### ► Timing Chart ◀



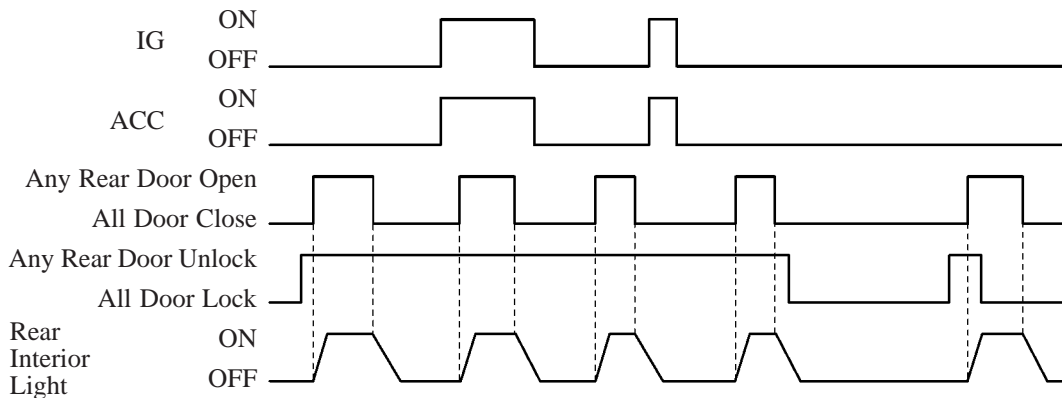
$T_1$ : Approx. 15 sec.

189BE68

### 4. Rear Interior Light Control

- The rear interior lights are independently controlled by two systems on the right and left.
- If the rear right or left door that is closed is opened, the illuminated entry system turns ON the rear right or rear left interior light.
- If the rear right or left door that is open is closed, the interior lights will immediately turn OFF.

#### ► Timing Chart ◀



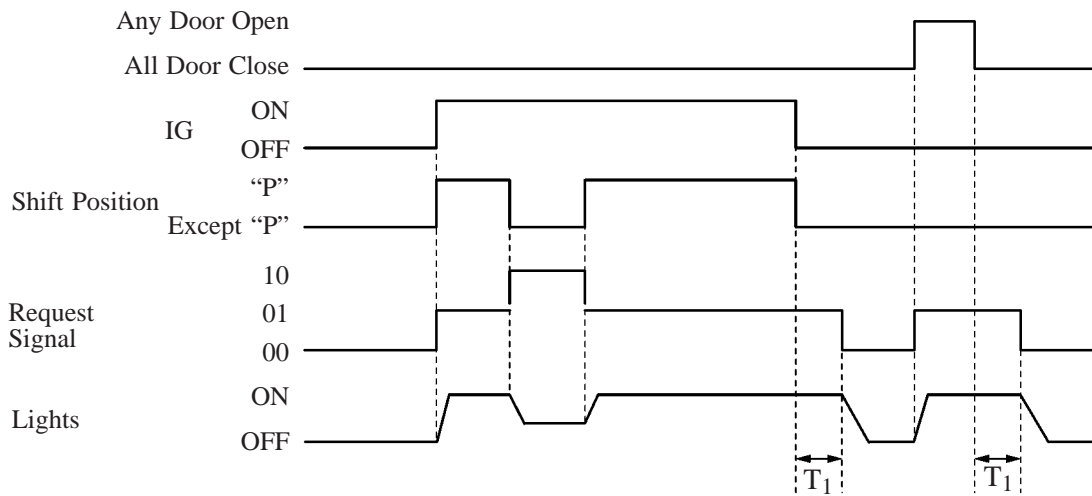
189BE69

### 5. Front Foot Light and Inside Handle Light Control

- With the ignition switch OFF, and all the doors closed and locked, if any door is unlocked, these lights will illuminate and turn OFF in approximately 15 seconds.
- When all doors are closed, if any door is opened, these lights will illuminate, and if all the doors are closed, they will turn OFF in approximately 15 seconds.
- With the ignition switch ON and the shift lever in the “P” position, this light illuminates and dims when the shift lever is moved to a position other than “P”. While this light is illuminating (dimming included), turning the ignition switch OFF will cause this light to turn OFF in approximately 15 seconds.

Although this light remains illuminated when the ignition switch is ON, it can be turned OFF by turning the rheostat knob for the combination meter illumination to the minimum level.

#### ► Timing Chart ◀



T<sub>1</sub>: Approx. 15 sec.

189BE71