

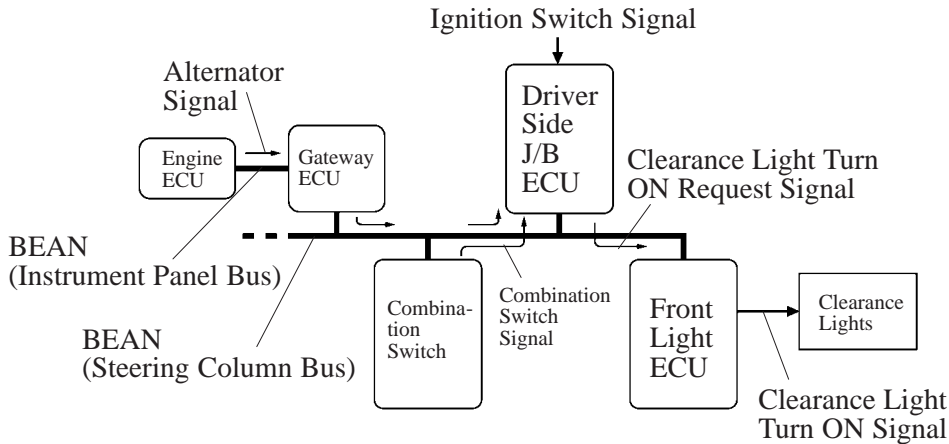
DAYTIME RUNNING LIGHT SYSTEM

This system is offered as an option in some areas of Europe.

This system is designed to automatically activate the clearance lights during the daytime to keep the car highly visible to other vehicles.

In this system, the signals from the Driver side J/B ECU are received by the front light ECU to illuminate the clearance lights. This system is enabled when the conditions given below are met.

- Ignition switch ON condition
- Alternator L terminal signal input
- Light control switch OFF condition



189BE64

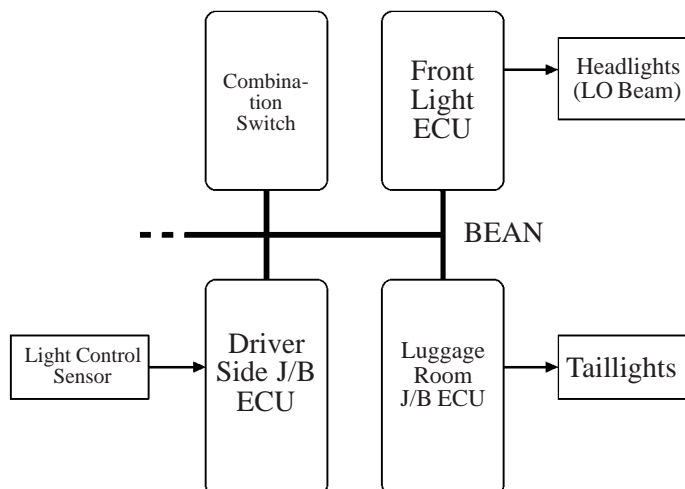
AUTOMATIC LIGHT CONTROL SYSTEM

1. General

When the light control switch is at the AUTO position, the automatic light control sensor detects the ambient light and automatically turns the headlights and taillights ON or OFF accordingly.

On the new LS430, this system provides the following features:

- A light sensor in which the automatic light control sensor and a solar sensor (for A/C) are integrated has been adopted.
- This system is controlled by the Driver side J/B ECU.
- The light sensitivity of this system has been made adjusted through the adoption of the customized Body Electronics system.



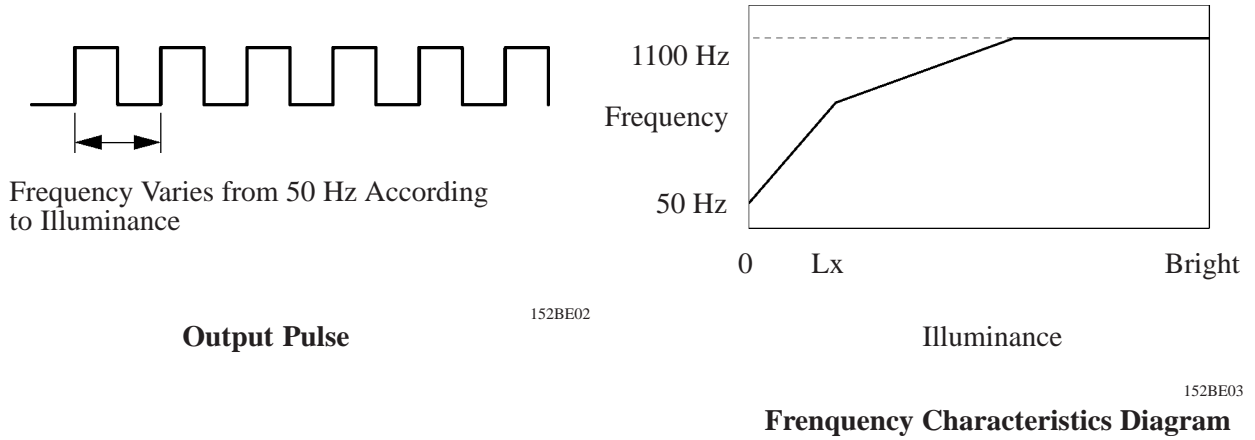
189BE65

2. Automatic Light Control Sensor

The automatic light control sensor is located at the top center area of the instrument panel. This sensor has integrated the automatic light control sensor and the solar sensor (for A/C).

The frequency output system varies the frequency of the pulses that are output by the sensor in accordance with the illuminance that is detected by the automatic light control sensor.

► Light Control Characteristics ◀

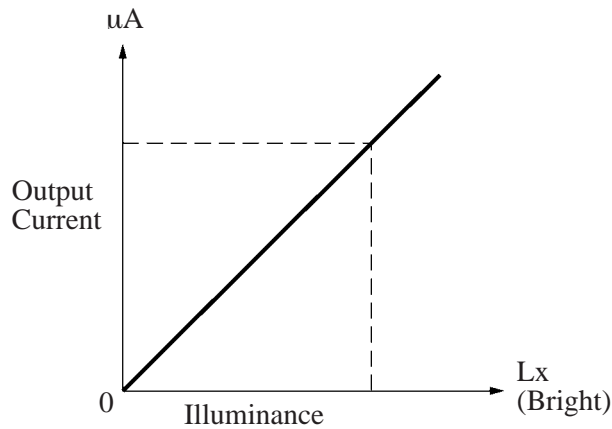


Output Pulse

Illuminance

Frequency Characteristics Diagram

► Solar Sensor Characteristics ◀



189BE66