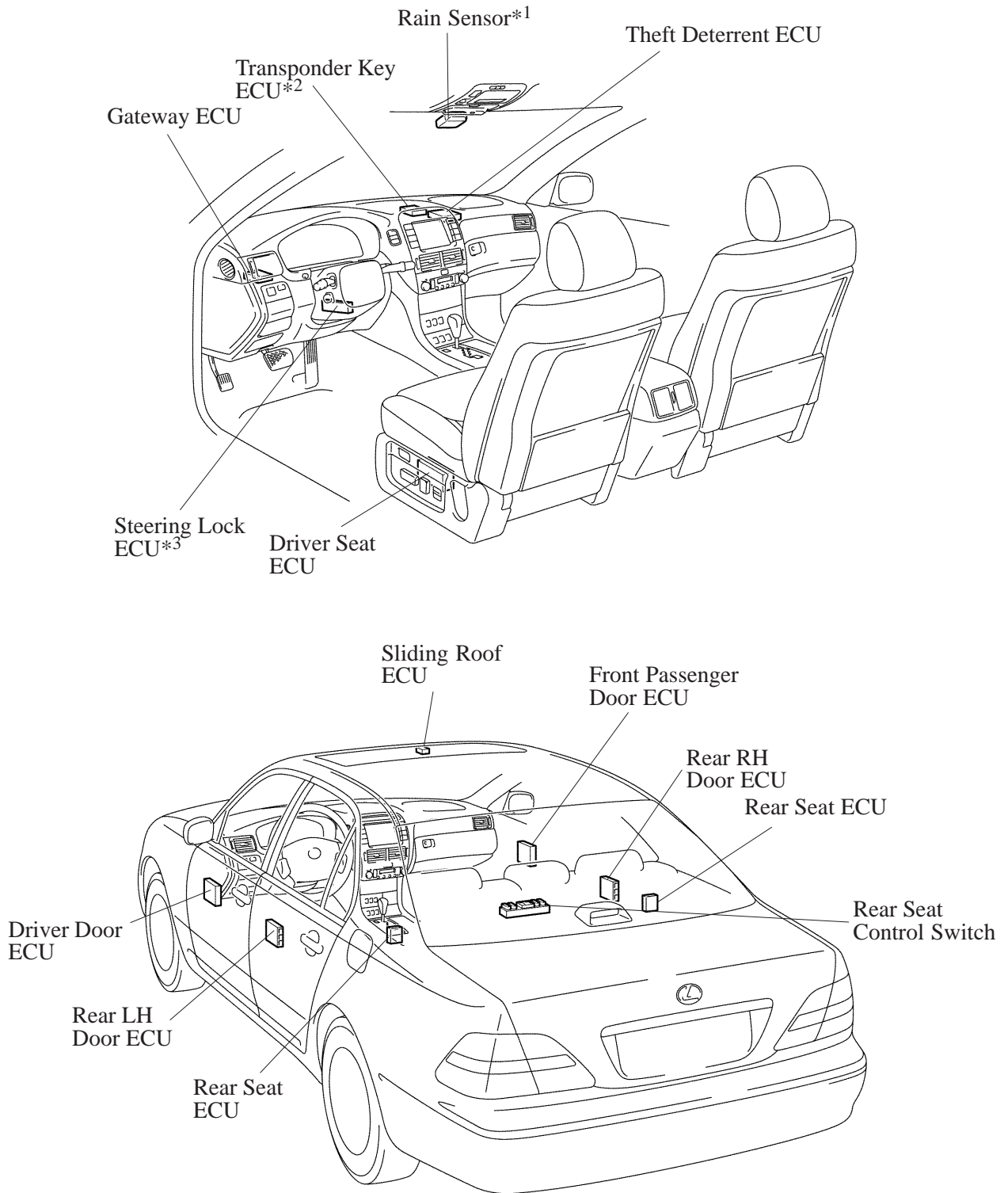


■ LAYOUT OF MAIN COMPONENT

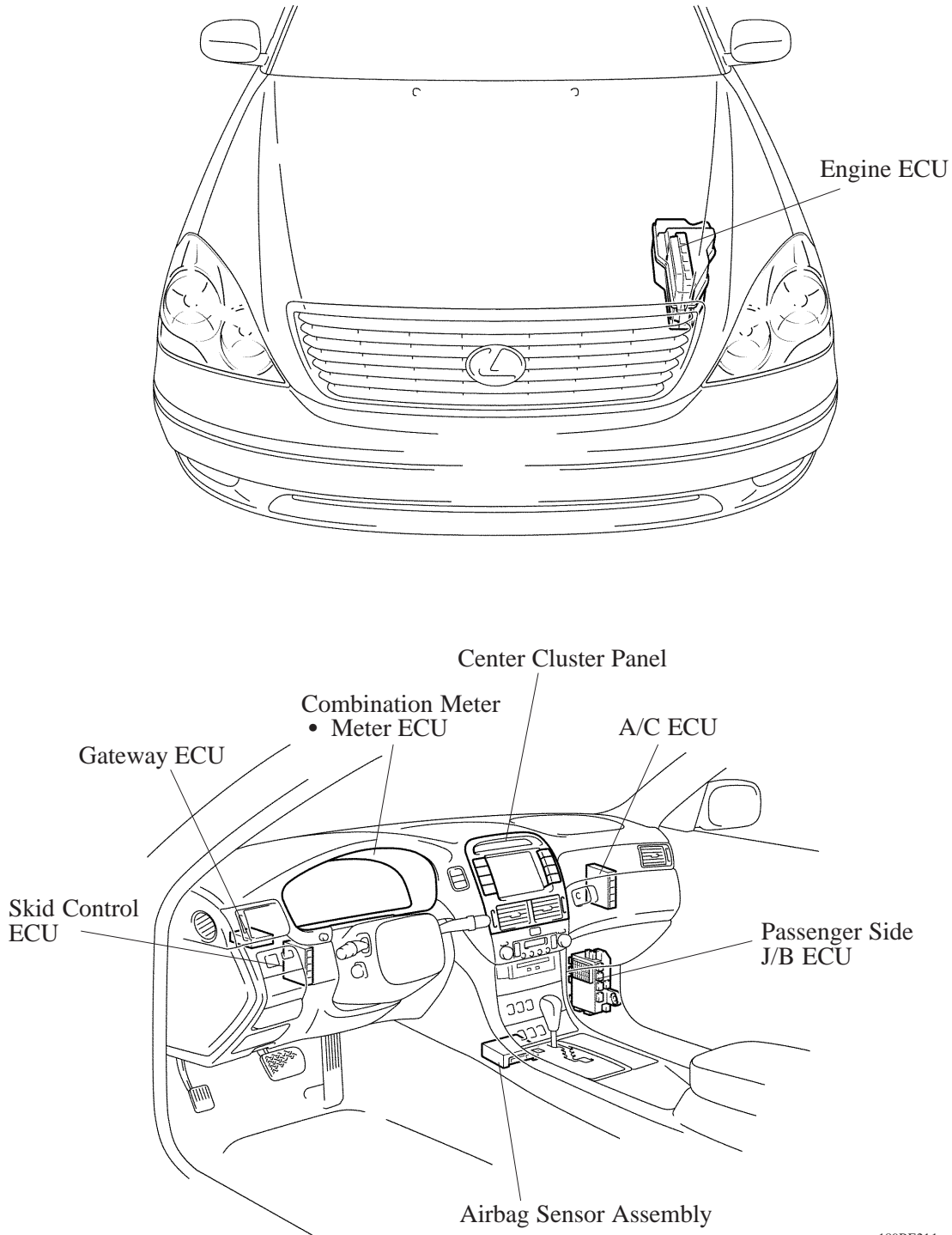
1. Door Bus



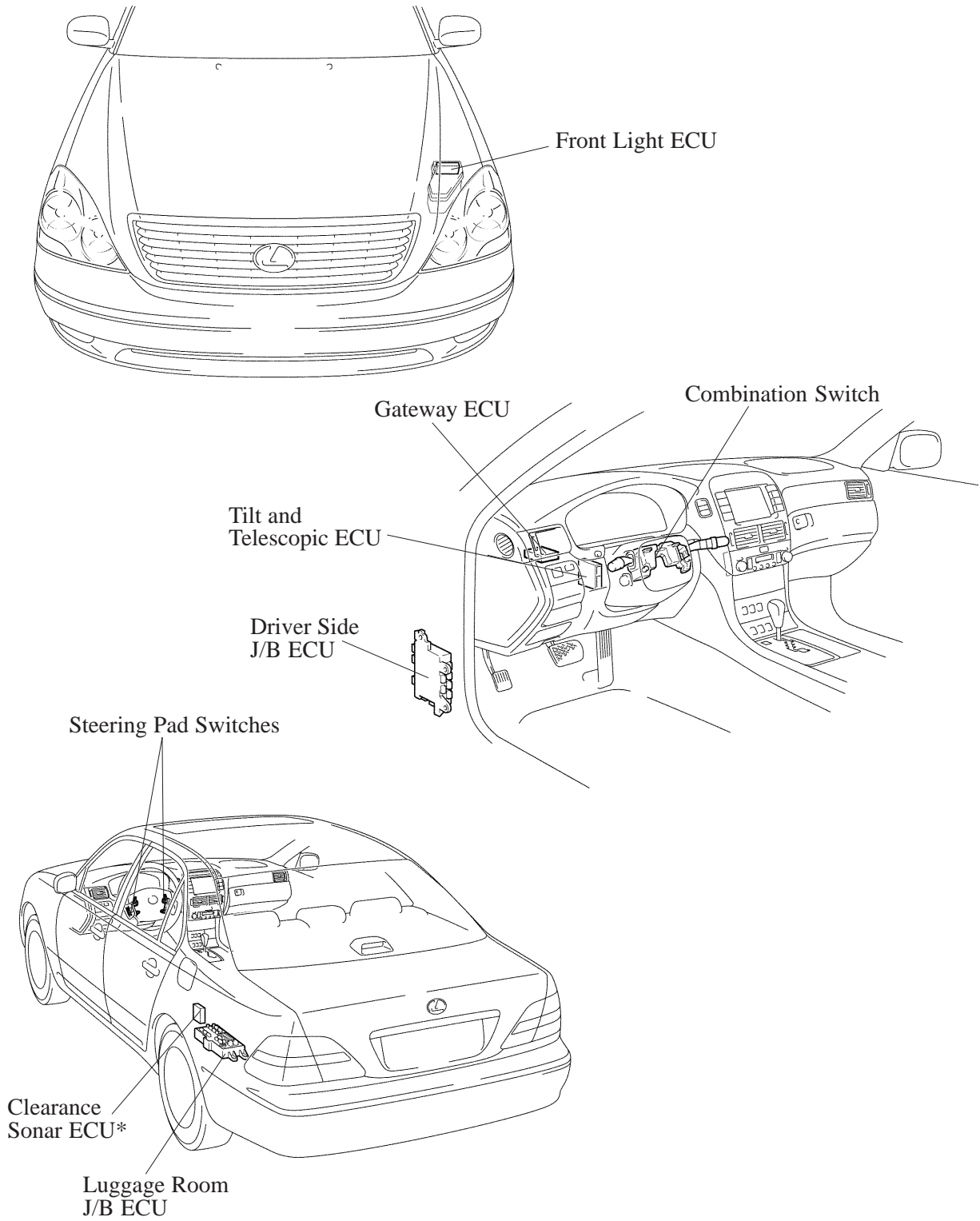
BE

*1: with Raindrop Sensing Function
 *2: without Smart Key System
 *3: with Smart Key System

2. Instrument Panel Bus



3. Steering Column Bus



BE

*: with LEXUS Park Assist System